

Delta 40



PENDANT

SPECIFICATION SHEET

Delta 40



Model 1770

Type

P Pendant

Size

26 26.4" [670mm]
38 38.2" [971mm]
50 50.0" [1271mm]
Custom

Wattage ^{1,2}

26"
L 6W (800lm)
M 12W (1485lm)
38"
L 9W (1200lm)
M 18W (2230lm)
50"
L 12W (1600lm)
M 24W (2970lm)

Color Temp ³

30 3000
35 3500
40 4000

Voltage

2 220/240 Volt

Driver

RD Remote

Control - RD

S Non-dim
D010 0-10V
DALI DALI
SWD SwitchDIM

Diffuser

SA Satin clear acrylic

Finish ⁴

19 Painted anodized aluminum - RAL 9006 matte
21 Painted white - RAL 9010 matte
26 Painted black - RAL 9005 matte
22 Painted custom color

Mounting

PC Power cable

Power Cable ⁵

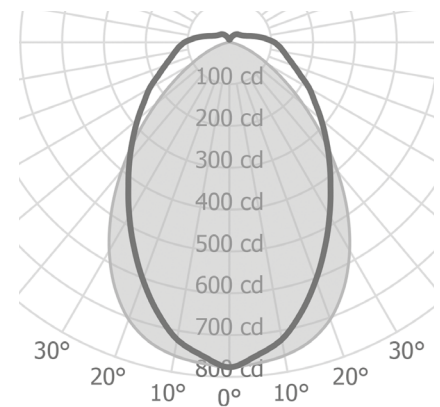
CC Clear insulated cable

Notes

- 1 Nominal lumens value specified
- 2 Linear LED board, constant voltage 24 Volt
- 3 90+ CRI standard
- 4 Canopy finish matches housing
- 5 96" standard power cable length

Example fixture number:

1770 - P - 38 - L - 30 - 2 - RD - S - SA - 19 - PC - CC



Delta 40

PENDANT

Delta 40, available in pendant and surface versions. Suspended or surface luminaire with extruded aluminum housing and machined end caps. General lighting which enhances long hallways.



Size	
26	26.4" [670mm]
38	38.2" [971mm]
50	50.0" [1,271mm]
Custom	



* 40mm diameter fixture diffuser profile

Delta 40

PENDANT



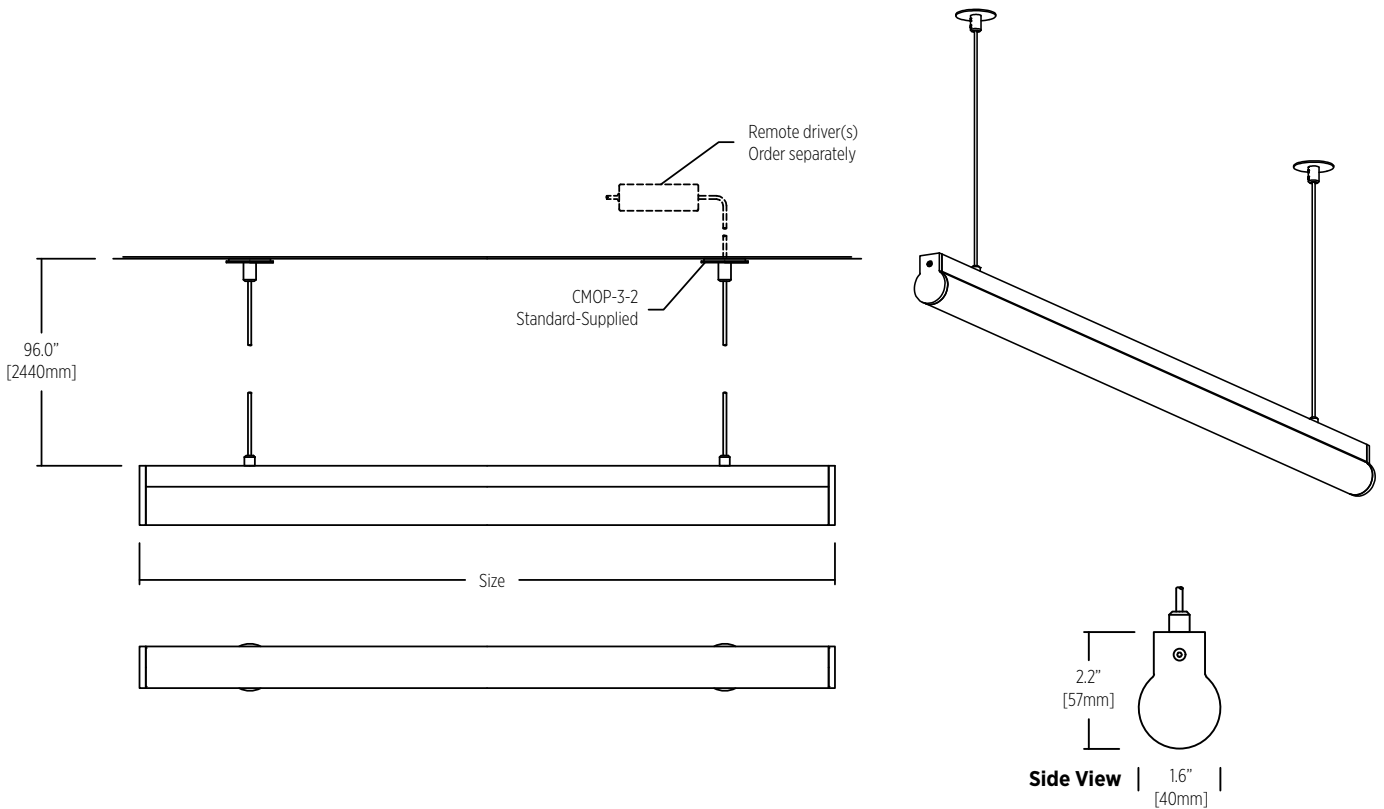
SPECIFICATION SHEET

Delta 40

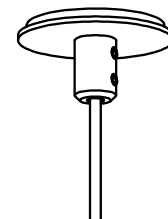
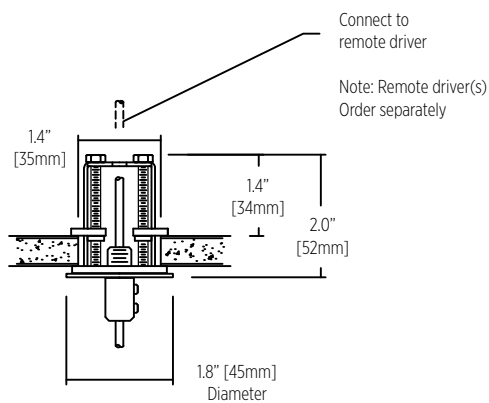


INSTALLATION TYPE

Straight power cables with remote driver



CMOP-3-2 Standard - Supplied



Mounting Option Power 3-2
Suspension Assembly
Installed in drywall or wood ceiling